



POOL PUMPS *for Pools & Spas*



ECO
APEX
ENVIRONMENTALLY FRIENDLY

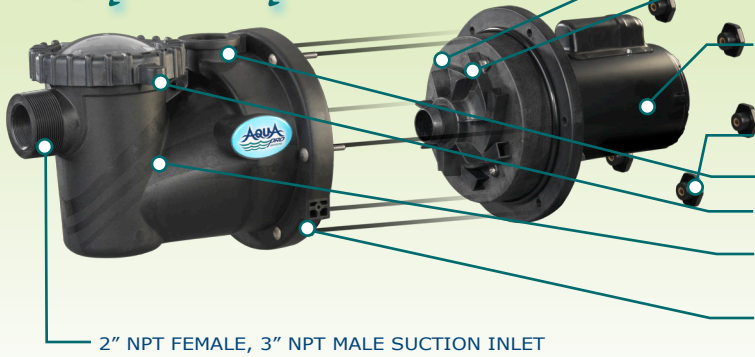
Best In Class!



AquaPRO Systems is very proud to announce the launch of our Eco-Apex™ Series of professional pool pumps, designed by the pool professional for the pool professional. This innovative line of pool pumps will be the answer you are looking for, providing powerful, high efficiency, quiet operation for your customer, with EZ-Access features you'll love!

- High Efficiency Motors Deliver Maximum Energy Savings and "Best In Class" Hydraulic Performance
- EZ-Access Tool-Less Design For Fast Assessment
- Rugged, Glass-Filled, Reinforced Thermoplastic Construction for Long Life
- EZ-View Quick-Lock Lid Makes Cleaning a Snap!

Pool/Spa Pump Features



- HIGH EFFICIENCY DIFFUSER FOR QUIET OPERATION
- FLOATING WEAR RING FOR EXTENDED DRY RUN PROTECTION
- HIGH EFFICIENCY MOTORS DELIVER MAXIMUM ENERGY SAVINGS - HI-MOUNT DESIGN KEEPS MOTOR DRY AND CLEAN
- EZ-ACCESS TOOL-LESS DESIGN FOR FAST ASSESSMENT
- 2" NPT FEMALE TOP DISCHARGE
- EZ-VIEW QUICK-LOCK LID MAKES CLEANING A SNAP
- ECO-APEX XL-MAX FILTER BASKET DESIGNED TO EXCEED NSF STANDARDS
- RUGGED, GLASS-FILLED, REINFORCED THERMOPLASTIC CONSTRUCTION FOR LONG LIFE

2" NPT FEMALE, 3" NPT MALE SUCTION INLET

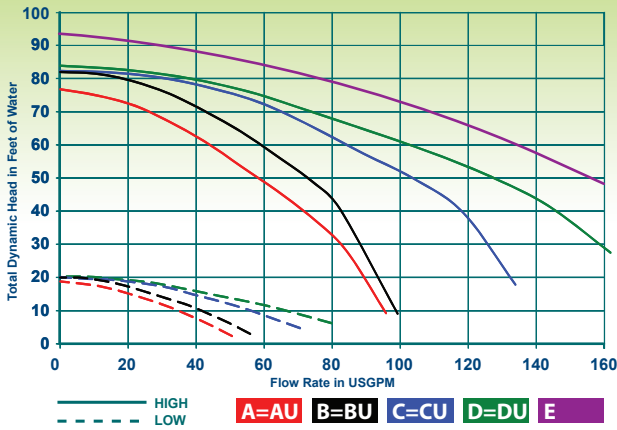
MECHANICAL SEAL DESIGNED WITH PREMIUM RESIN IMPREGNATED CARBON, ROTATING AGAINST A SILICONE CARBIDE SEAT WITH VITON®* ELASTOMERS TO DELIVER EXCEPTIONAL CHEMICAL RESISTANCE

UNIVERSALLY COMPATIBLE NPT SETUP FOR HASSLE-FREE INSTALLATION AND REPAIRS

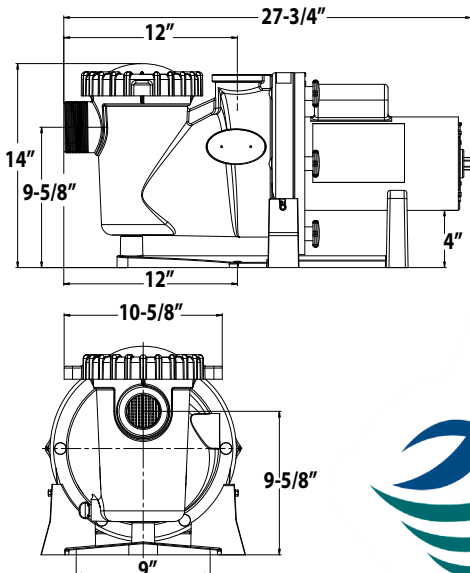
setting a new standard for the industry!



Performance You Can See!



	HP	Volts	Amps	RPM	60 Cycle 1 Phase	SF	Ship Wt.
FULL RATE MODELS							
A - APB2SP075PRO	3/4	115V	12/4.5	3450/1725	Yes	1.65	46 lbs.
A - APBP075PRO	3/4	115/208-230V	11.0/5.9/5.5	3450	Yes	1.65	46 lbs.
B - APB2SP1PRO	1	230V	7.2/2.7	3450/1725	Yes	1.65	48 lbs.
B - APBP1PRO	1	115/208-230V	14.0/7.6/7.0	3450	Yes	1.65	48 lbs.
C - APB2SP15PRO	1.5	230V	9.6/3.3	3450/1725	Yes	1.50	51 lbs.
C - APBP15PRO	1.5	115/208-230V	17.6/9.6/8.8	3450	Yes	1.50	51 lbs.
D - APB2SP20PRO	2	230V	10.8/3.8	3450/1725	Yes	1.30	53 lbs.
D - APBP20PRO	2	208-230V	11.0/10.0	3450	Yes	1.30	52 lbs.
E - APB30PRO	3	208-230V	14.7/13.4	3450	Yes	1.15	54 lbs.
UPRATED MODELS							
AU - APB2SP1UPRO	1	115V	12/4.5	3450	Yes	1.24	46 lbs.
AU - APBP1UPRO	1	115/208-230V	11.0/5.9/5.5	3450/1725	Yes	1.24	46 lbs.
BU - APB2SP15UPRO	1.5	230V	7.2/2.7	3450	Yes	1.10	48 lbs.
BU - APBP15UPRO	1.5	115/208-230V	14.0/7.6/7.0	3450/1725	Yes	1.10	48 lbs.
CU - APB2SP20UPRO	2	230V	9.6/3.3	3450	Yes	1.13	51 lbs.
CU - APBP20UPRO	2	115/208/230V	17.6/9.6/8.8	3450/1725	Yes	1.13	51 lbs.
DU - APB2SP25UPRO	2.5	230V	10.8/3.8	3450	Yes	1.04	53 lbs.
DU - APBP25UPRO	2.5	208/230V	11.0/10.0	3450/1725	Yes	1.04	52 lbs.



877.278.2797 | F 888.610.3839
 cs@aquapro systems.com | www.aquapro systems.com

*VITON® IS A REGISTERED TRADEMARK OF E. I. DU PONT DE NEMOURS & COMPANY CORPORATION